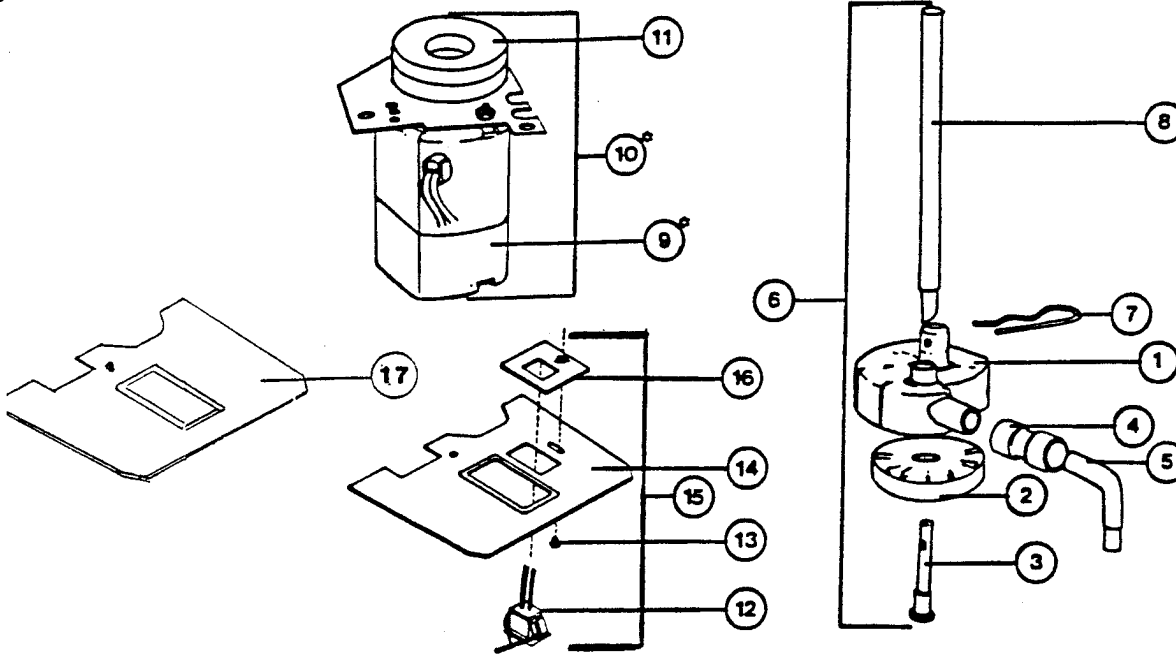


# Alternate Parts List

## JWT



<u>ITEM#</u>	<u>PART#</u>	<u>COMPONENT</u>
1	A-2746	Whipper Housing .....
2	A-2566	Whipper Impeller Magnet .....
3	A-0116	Impeller Bearing Pin .....
4	A-0938	Whipper Outlet Union .....
5	S-7395	Outlet Tube .....
6	A-2569	Whipper Chamber Assembly .....
7	A-0423	Impeller Retainer Pin .....
8	S-7394	Vent Tube, 5 Gallon Bowl; A-2791 3 Gallon Bowl .....
9	A-2256	Whipper Motor 115V .....
*9	S-7512	Whipper Motor 220/240V (Slow Speed Only) .....
10	A-2567	Whipper Motor Ass'y/Bracket, Double Magnet 115V .....
*10	A-2645	Whipper Motor Ass'y 220/240V (Slow Speed Only) .....
11	A-2410	Double Magnet Ass'y .....
17	S-9570	Switch Cover Plate (Non Whipper Positions) .....

### WHITE SWITCH

12	S-8465	Switch - Whipper Motor .....
13	S-8469	Screw Star Washer (Pkg. of 4) .....
14	S-9414	Switch Cover Plate .....
15	A-2269	Switch Cover Assembly - Including Switch .....
16	S-8467	Switch Support Plate .....

### BLACK SWITCH

12	A-2754	Switch - Whipper Motor .....
13	S-8469	Screw Star Washer (Pkg. of 4) .....
14	A-3927	Switch Cover Plate .....
15	A-4509	Switch Cover Assembly - Including Switch .....
16	A-4434	Switch Support Plate .....

### ADDITIONAL PARTS NOT SHOWN

		Cross reference item number with Parts List JT20 or JT30
36	S-9415	Front Panel - JWT303 .....
	S-9450	Front Panel - JWT202 .....